



AnaSem

SMD Crystal Oscillator **SPXO**

# AS2520SP Series



## FEATURES

- Output frequency : 1.0~54.0MHz
- Supply voltage : 1.8V/2.5V/2.8V/3.3V/5.0V
- SMD package : 2.50 x 2.00 x 1.00mm(max.)
- Tristate function

\* Products Part No.  
Please contact us.



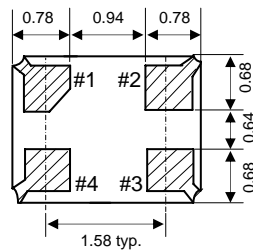
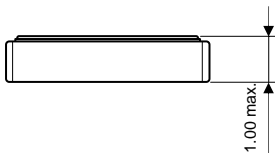
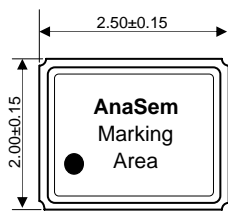
RoHS  
COMPLIANCE

## ELECTRICAL SPECIFICATIONS

Items		Specification	Unit
Frequency Range		1.0~54.0MHz	MHz
Frequency Stability		±25ppm    ±50ppm    ±100ppm	ppm
Operating Temperature		0°C~+70°C / -20°C~+70°C / -40~+85°C	°C
Storage Temperature		-50°C~+125°C	°C
Supply Voltage		1.8V/2.5V/2.8V/3.3V/5.0V	VDD
Input Current	1.8V	3mA	Icc
	2.5V	4mA	
	2.8V	5mA	
	3.3V	6mA	
	5.0V	7mA	
Output Load Capacitance		15PF~50PF	CL
Rise Time		10nS MAX	
Fall Time		10nS MAX	
Symmetry		45%~55%	
Output "0" Level / "1" Level		10% VDD MAX    90% VDD MIN	
Start-up Time		10ms MAX	
Enable/Disable Phase Delay Time		100ns MAX	
Tristate Function		"1" or Open : Oscillation    +2.2V MIN	
		"0" : Output disabled in high impedance    +0.8V MAX	
Aging		±5ppm MAX at +25°C±3°C for first year	

## PACKAGE DIMENSIONS

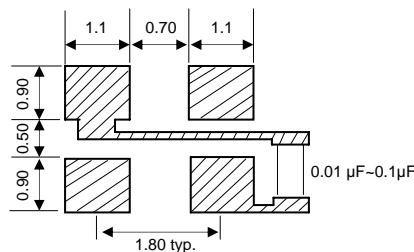
(Unit:mm / typ)



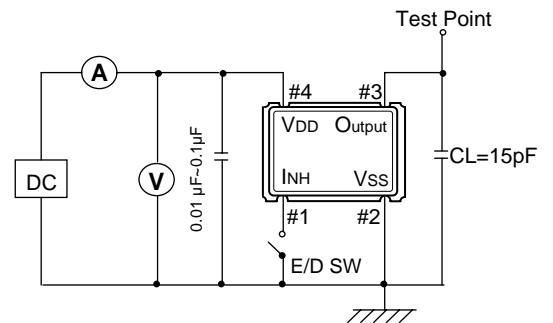
## PIN CONFIGURATION

No.	Symbol
1	INH
2	VSS
3	QOUT
4	VDD

## RECOMMENDED LAND PATTERN



## MEASUREMENT CIRCUIT



CL=Including fixture and probe capacitance